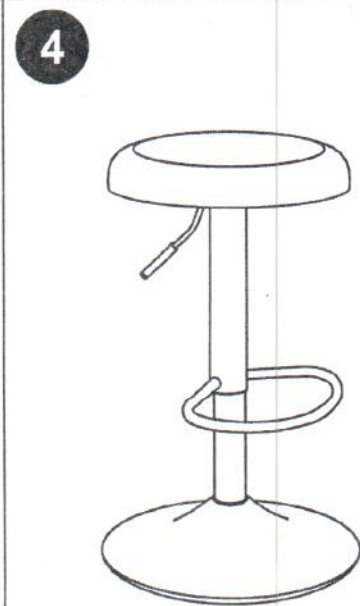
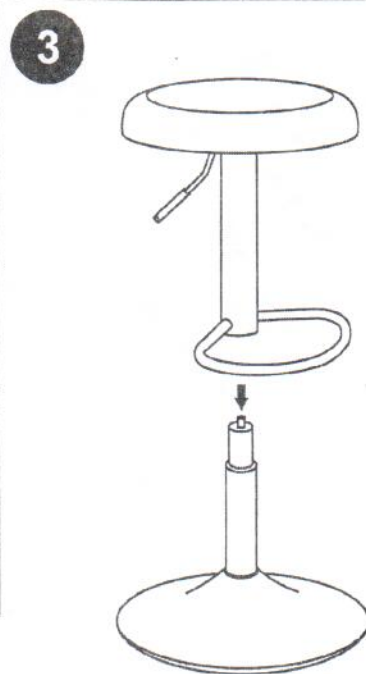
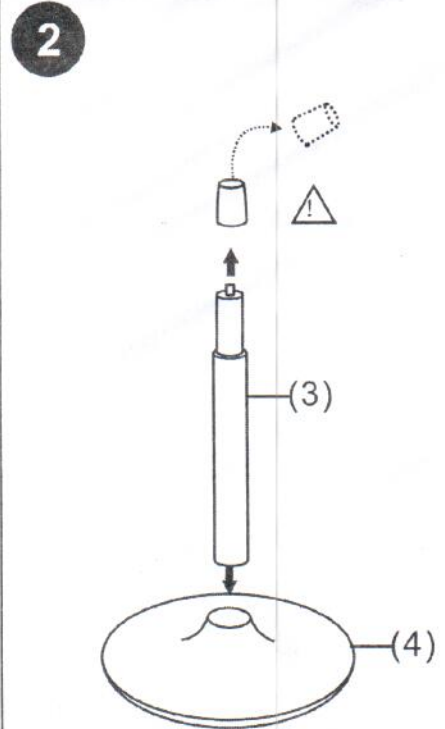
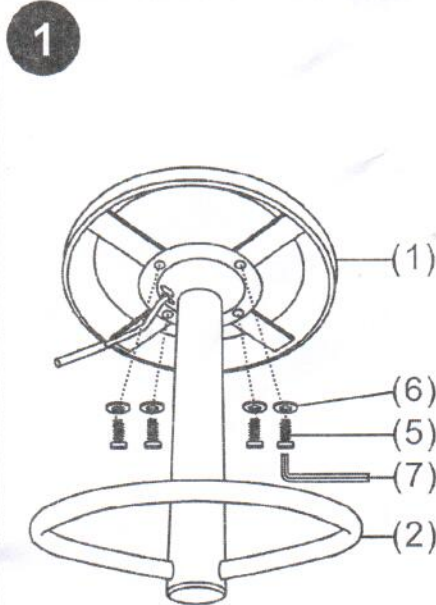


QS-D812-2 BAR STOOL

ASSEMBLY INSTRUCTIONS



(1)		1
(2)		1
(3)		1
(4)		1
(5)	 M6X14MM	4
(6)	 M6X13X1MM	4
(7)	 M5	1



WARNING:

- DO NOT STAND ON THIS STOOL. DO NOT USE THIS STOOL AS A STEP LADDER.
- USE THIS PRODUCT ONLY FOR SEATING ONE PERSON AT A TIME.
- DO NOT USE THIS STOOL UNLESS ALL BOLTS, SCREWS AND KNOBS ARE FIRMLY SECURED.
- AT LEAST EVERY 4 MONTHS. CHECK ALL BOLTS, SCREWS AND KNOBS TO BE SURE THEY ARE TIGHT.
- IF PARTS ARE MISSING, BROKEN, DAMAGED OR WORN. STOP USING THIS PRODUCT UNTIL REPAIRS ARE MADE USING FACTORY AUTHORIZED PARTS.
- FAILURE TO FOLLOW THESE WARNINGS COULD RESULT IN SERIOUS INJURY.